

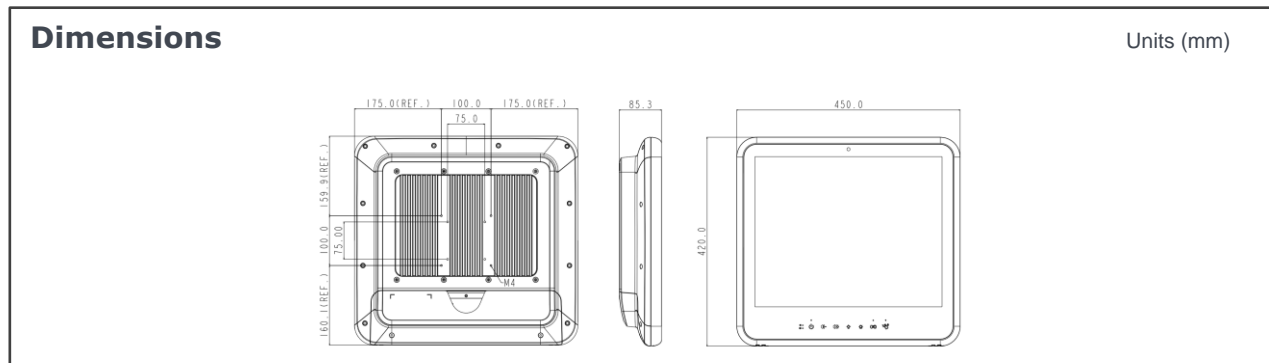


### Specification

### Features

- Powerful Intel® Whiskey Lake Core i CPU
- Medical Latest 60601-1 & 60601-1-2 Certifications
- 19" 1280 x 1024 High Quality LCD Panel w/ P-Cap Multi-Touch
- Optional Built-In UPS Battery Pack
- Fanless Design with Reliable Thermal Solution
- Dual storage with M.2 SSD & 2.5" Drive
- Hospital White Plastic Housing w/ Anti-bacteria Treatment
- 4KV Isolated I/O kit & More Options for Diversified Applications
- Support PCIe4 Expansion Slot

Model	WMP 19J IP0A (STD)	WMP 19J IP0B (ISO)
CPU / Chipset	FCBGA1528 8 <sup>th</sup> generation Intel® Core i7/i5 processor (15W Max.) Optional Vpro by Core i7/i5 CPU/ SoC	
Graphic	Intel® integrated UHD Graphics 620	
RAM	Two DDR4 Dual-2400MHz RAM, non-ECC, x2 SO-DIMM socket, up to 64GB	
OS Support	Optional Win 10 IoT Enterprise	
Storage	2.5" SSD/HDD / M.2 SSD (M Key 2242/2260/2280) PCIe x4 & SATA3	
Expansion	1 x PCIe4, 1 x M.2 E Key Optional Network Interface: 802.11 ac/a/b/g/n WLAN + Bluetooth module	
Display Size	19" TFT-Color LCD (5:4)	
Display	1280 x 1024 (SXGA), 16.7M colors, 170(H) / 160(V), 350 nits (Typ.), CR: 1000 : 1 (Typ)	
Touch Screen	Full Flat P-cap Touch Panel / Light Transmission: 90% ± 3% / Hardness: 7H pencil, pressure 750g/45° / Life: 100M times	
USB	4 x USB3.1 gen. II	4 x USB3.1 gen. II, 1 x ISO USB2.0
COM	1 x RS232/422/485, 1 x RS232	1 x RS232/422/485, 1 x RS232, 1 x ISO RS-232, 1 x ISO RS232/RS422/RS485
LAN	Gigabit / 2 x RJ45	Gigabit / 2 x RJ45, 1 x ISO RJ45
Audio/ Video	2 x 3.5mm phone jack connector (Line-out, Mic-In)/ 1 x DP1.2, 1 x HDMI 1.4	
Speakers & Microphone	2x 2-watt Speakers & Integrated Microphone (at Housing Bottom Side)	
User Control Key	Power Button, Volume adjustment (-), Volume adjustment (+), Brightness (-), Brightness (+), LCD on/off, Clean me	
Cooling	Fanless Design with External Heatsink	
Power Input	DC-In x 1, DC 14~24V input	
Power Adapter	AC input 100~240V / 47 ~ 63 Hz / DC output 18V, 100W, Universal Type	
Temperature	Operating Temperature: 0~35°C(20W) / 0~40°C(15W) / 25W(by Project)/ Storage Temperature: -20~60°C	
Humidity	Operating & Storage: 10 ~ 90%, non-condensing	
IP Rating / Housing	IP65 (Front Side), IPx1 whole system / Front: Full flat design/ Touch (standard)/ Glass( customized); Rear: Plastic White w/Anti-bacteria (MRSA) Housing	
Dimensions (Net)	450mm (H) x 420mm (V) x 85.3mm (T)	
Weights (Net)	7.5 kg (w/o power adapter/battery pack)	
Mounting	Optional Stand, VESA 75/ 100	
Certification	MDR (2017/745)(by Project), EN/UL(60601-1:2012, V3.1)(by Project)/cUL60601-1:2014 (V3.1)(by Project), FCC/CE(60601-1-2: 2015(V4.0)/VCCI Class B	



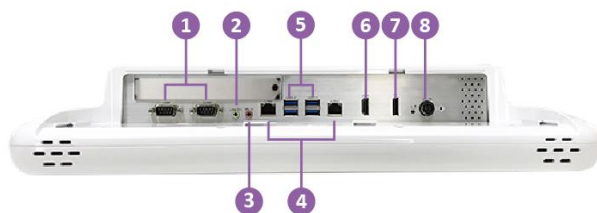
### Major Options & Customization

Options	<ul style="list-style-type: none"> <li>① Wifi 802.11 ac/a/b/g/n WLAN + Bluetooth module</li> <li>② Wifi 802.11 ax/a/b/g/n WLAN + Bluetooth module (Wifi-6)</li> <li>③ 3.2MP Webcam</li> <li>④ RFID reader (13.56MHz)</li> <li>⑤ TPM 2.0 (Trusted Platform Module)</li> <li>⑥ 2.5" SSD module</li> <li>⑦ M.2 NVMe SSD 2280</li> <li>⑧ UPS Battery pack (100W max.)</li> <li>⑨ 5V1A power Jack (for IP0A Standard Type)</li> <li>⑩ Add On 2 x COM</li> <li>⑪ Add On 2 x USB</li> <li>⑫ Equipotential Terminal Pin</li> <li>⑬ AG Film (for Anti-Reflection)</li> <li>⑭ PCIe4 riser card</li> <li>⑮ Full HD capture card</li> <li>⑯ DC-DC extension cable (2 meter)</li> <li>⑰ Add light sensor for LCD auto-brightness control (can't co-exist with webcam)</li> <li>⑱ I/O cover (for better cables management)</li> <li>⑲ White color metal desktop stand with antibacterial treatment</li> </ul>
Customization	<ul style="list-style-type: none"> <li>① Tempered glass</li> <li>② Touch panel with anti-glare coating</li> <li>③ COM ports support 5V1A output</li> <li>④ COM5,6 (New I/O bracket, remove USB5,6)</li> </ul>

### Order Information

Item	Configuration
WMP-19J – IP0A	Core i5-8265U 1.60GHz/ 4G RAM/128G SSD/ Full flat P-cap touch/ STD
WMP-19J – IP0A	Core i7-8565U 1.80GHz/ 4G RAM/ 128G SSD/ Full flat P-cap touch/ STD
WMP-19J – IP0A	Core i5-8365UE 1.60GHz, DDR4 4G RAM, M.2 128G SSD, Full flat P.cap touch (support Vpro)
WMP-19J – IP0B	Core i5-8265U 1.60GHz/ 4G RAM/ 128G SSD/ Full flat P-cap touch/ ISO module

### I/O ports (Standard type)



- ① COM x 2
- ⑤ USB 3.1 x 4
- ② Line-out
- ⑥ HDMI x 1
- ③ Micro-in
- ⑦ DP x 1
- ④ LAN x 2
- ⑧ DC-in

