

Datasheet

M.2 (P80) 4IG2-P series

- PCIe Gen. 4x4, NVMe SSD
- Innodisk 3D TLC NAND
- Support iSLC technology
- iPowerguard
- iDataguard
- Thermal throttling Management
- Support End-to-End Data Path Protection(ETEP)



Introduction

Innodisk M.2 (P80) 4IG2-P is iSLC series which is designed to outdo the endurance, performance and reliability of 3D TLC-based solutions. Through the use of flash management algorithms, iSLC improves SSD endurance up to 30,000 times. In addition, iSLC improves the performance of solid state drives, with similar write performance of SLC-based solutions.

M.2 (P80) 4IG2-P supports PCIe Gen. 4x4, and it is compliant with NVMe 1.4 providing excellent performance. M.2 (P80) 4IG2-P with heat-spreading design dissipate heat generating from IC making SSD perform more steady. M.2 (P80) 4IG2-P have Die RAID protection to reduce bad blocks happening and optimize data integrity.

Innodisk M.2 (P80) 4IG2-P provides ultra-speed and high IOPS and offers maximum capacity up to 1.28TB, making the SSD optimal for server and heavy data workload applications.

M.2 (P80) 4IG2-P series

Contact us for more information
about the M.2 (P80) 4IG2-P.

Innodisk is a service-driven provider of industrial embedded flash and DRAM storage products and technologies, with a focus on the cloud computing, industrial/embedded, and aerospace and defense industries.

Headquarters (Taiwan)

5F., No. 237, Sec. 1, Datong Rd., Xizhi
Dist., New Taipei City 221, Taiwan
Tel: +886-2-7703-3000
Email: sales@innodisk.com

Branch Offices:

USA
usasales@innodisk.com
+1-510-770-9421
Europe
eusales@innodisk.com
+31-40-3045-400
Japan
jpsales@innodisk.com
+81-3-6667-0161
China
sales_cn@innodisk.com
+86-755-21673689
www.innodisk.com

© 2022 Innodisk Corporation.
All right reserved. Specifications are
subject to change without
prior notice.

20230204

Diagram (ST)

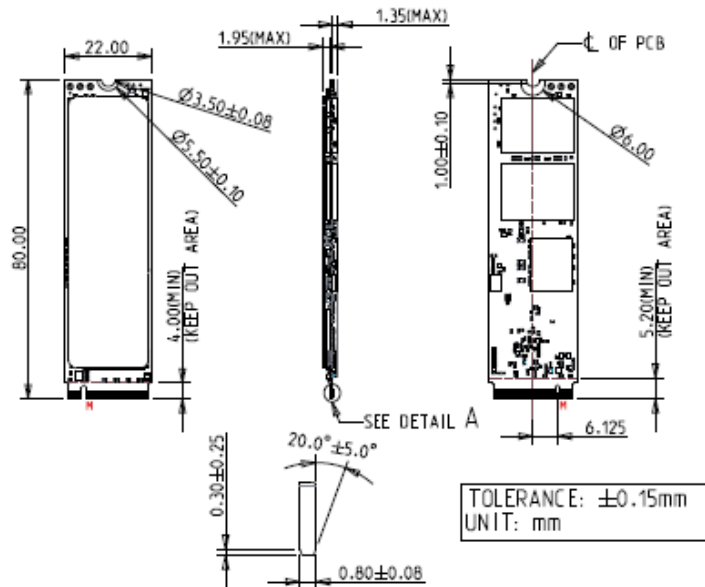
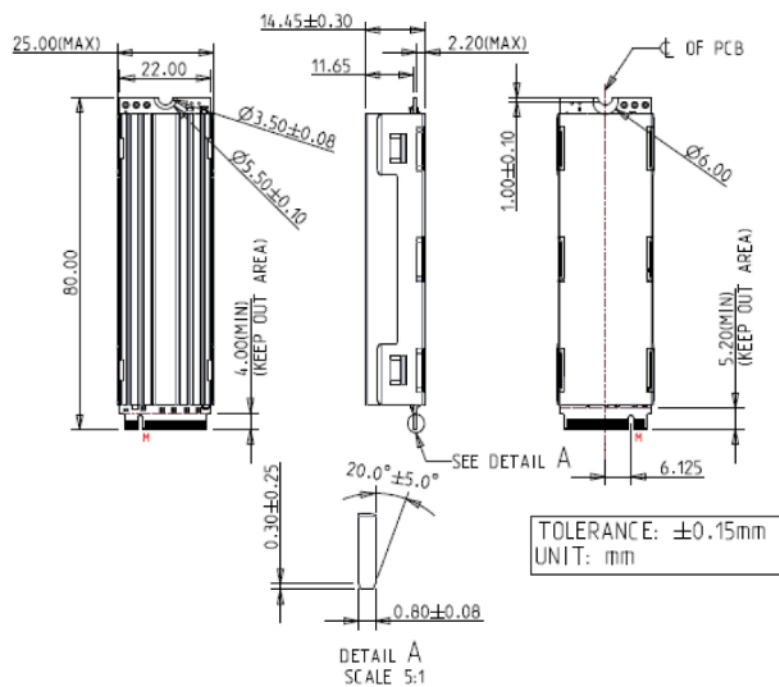


Diagram (WT)



Specifications

Contact us for more information about the M.2 (P80) 41G2-P.

Innodisk is a service-driven provider of industrial embedded flash and DRAM storage products and technologies, with a focus on the cloud computing, industrial/embedded, and aerospace and defense industries.

Headquarters (Taiwan)

5F., No. 237, Sec. 1, Datong Rd., Xizhi Dist., New Taipei City 221, Taiwan
Tel: +886-2-7703-3000
Email: sales@innodisk.com

Branch Offices:

USA
usasales@innodisk.com
+1-510-770-9421

Europe
eusales@innodisk.com
+31-40-3045-400

Japan
jpsales@innodisk.com
+81-3-6667-0161

China
sales_cn@innodisk.com
+86-755-21673689

www.innodisk.com

© 2022 Innodisk Corporation.
All right reserved. Specifications are subject to change without prior notice.

20230204

Interface	PCIe Gen. 4x4
Flash Type	iSLC
P/E cycle	100,000
Capacity	160GB~1.28TB
Max. Channels	8
Sequential R/W (MB/sec, max.)	7,100/5,200
Max. Power Consumption	10.2W
Thermal Sensor	√
External DRAM buffer	√
H/W Write Protect	NA
Dimension (WxLxH)	ST with heat-spreading copper layer: 22.0 X 80.0 X 3.3 mm WT with heatsink: 25 X 80.0 X 14.45 mm (Pure M.2: 22.0 X 80.0 X 2.87 mm)
Environment	Vibration: 20G @7~2000Hz Shock: 1500G @ 0.5ms Storage Temperature: -40°C ~ +85°C MTBF: 3 million hours

Ordering Information

Operation Temp.	160GB	320GB	640GB	1.28TB
Standard Grade (0°C ~ +70°C)	DHM28-A60DP1KCCEL	DHM28-D2GDP1KCCEL	DHM28-F4GDP1KCCEL	DHM28-1T2DP1KCCEQ
Industrial Grade (-40°C ~ +85°C)	DHM28-A60DP1KWCELH	DHM28-D2GDP1KWCELH	DHM28-F4GDP1KWCELH	DHM28-1T2DP1KWCEQH