

AI Inference / DeviceEdge

Jetson System AIE-KO21/AIE-KO31 AIE-KN31/AIE-KN41



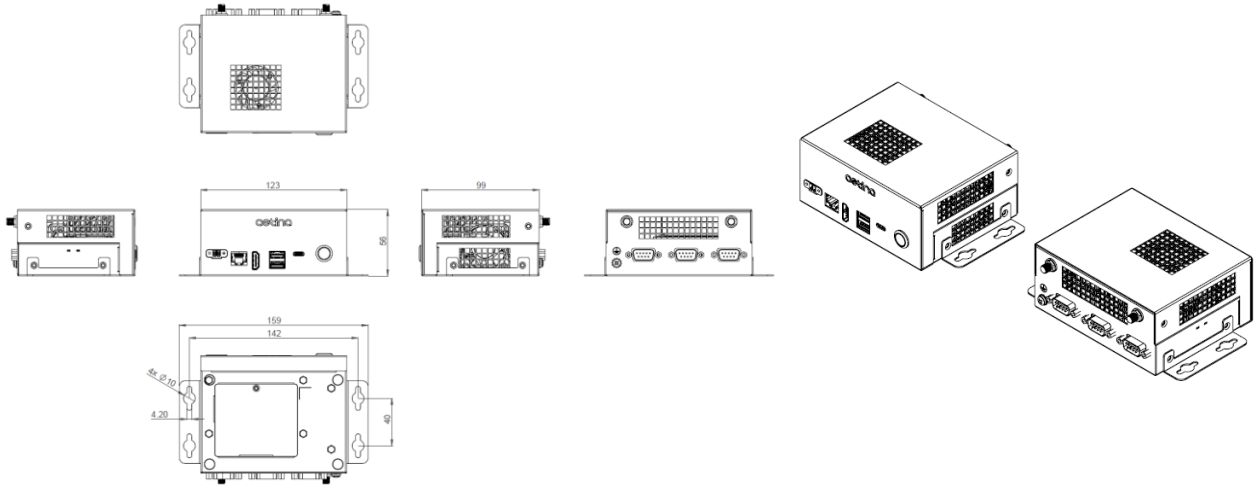
Features

- Support NVIDIA Jetson Orin NX/NANO
- Wide Power Input Range 12 to 24VDC
- 1 x M.2 B-Key/E-Key/M-Key (128GB SSD included)
- 1 x RJ-45 GbE Port
- -25°C ~ + 70°C operating temperature

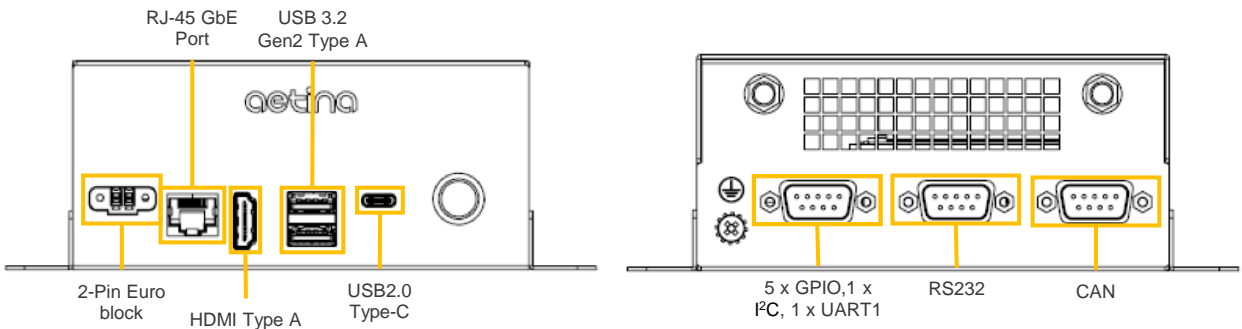
Specifications

Model Number	AIE-KO21 / AIE-KO31	AIE-KN31 / AIE-KN41
Module Compatibility	Nvidia Jetson ORIN NANO 4G / 8G	Nvidia Jetson ORIN NX 8G / 16G
Storage	128GB M.2 2242 NVMe PCIe SSD	
Display	1 x HDMI Type A	
Audio	Line-out/Line-in/Mic (opt. with Daughter Board)	
LAN	1 x RJ-45 GbE Port (no PD function)	
USB	2 x USB 3.2 Gen2 Type A 1 x USB2.0 Type-C (OTG Only)	
I/O Interfaces	5 x GPIO, 1 x I ² C, 1 x RS-232, 1 x UART, 1 x CAN (Isolation)	
Expansion	1 x M.2 E-Key 2230 (PCIe/USB2): WIFI/BT Module 1 x M.2 M-Key (NVMe) 2242: Storage	
MISC. Function	1 x Power Button, 1 x Recovery Button (Optional), 1 x Reset Button	
Power Input /Connector	DC-in 12-24VDC / 2-Pin Euro block	
Power consumption	Idle: 2.904W (Connect With Keyboard, Mouse and HDMI Display) Full Loading: 12.342W (Connect with keyboard, mouse and HDMI display with CPU and GPU 100% loading)	
Dimension (W x D x H)	123 x 99 x 56mm	
Mounting	Din Rail / Wall Mount	
Net Weight	537g	
Vibration	1 Grms, IEC 60068-2-64, random, 5 ~ 500 Hz, 1 hr/axis	
Shock	10 G, IEC 60068-2-27, half sine, 11 ms duration	
Temperature	Operating Temp.: -25°C ~ + 70°C / Storage Temp.: -25°C ~ + 85°C	
Humidity	5 to 90% @ 40°C Related Humidity, Non-condensing	
OS Support	Ubuntu 20.04	
Certification	CE/FCC Class A, IEC 62368	

System & Mounting Dimensions



I/O Mechanical Layout



Ordering Information

Model name	Description
AIE-KO21-1-A1	AIE-KO21 w/ ORIN NANO 4G, 1 x HDMI, 2 x USB-A, 1 x USB-C(OTG only), 1 x RJ-45 GbE PORT, 1 x FAN, 12 to 24V DC INPUT, -25°C to +70°C
AIE-KO31-1-A1	AIE-KO31 w/ ORIN NANO 8G, 1 x HDMI, 2 x USB-A, 1 x USB-C(OTG only), 1 x RJ-45 GbE PORT, 1 x FAN, 12 to 24V DC INPUT, -25°C to +70°C
AIE-KN31-1-A1	AIE-KN31 w/ ORIN NX 8G, 1 x HDMI, 2 x USB-A, 1 x USB-C(OTG only), 1 x RJ-45 GbE PORT, 1 x FAN, 12 to 24V DC INPUT, -25°C to +70°C
AIE-KN41-1-A1	AIE-KN41 w/ ORIN NX 16G, 1 x HDMI, 2 x USB-A, 1 x USB-C(OTG only), 1 x RJ-45 GbE PORT, 1 x FAN, 12 to 24V DC INPUT, -25°C to +70°C

