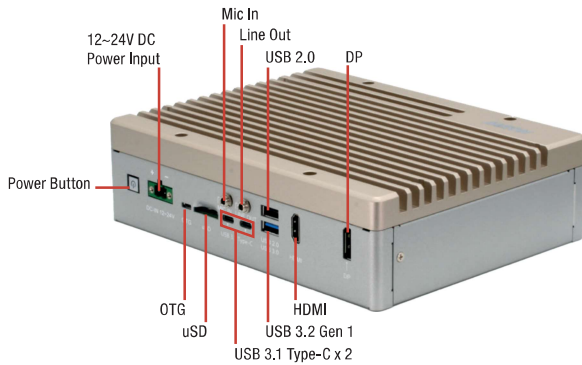


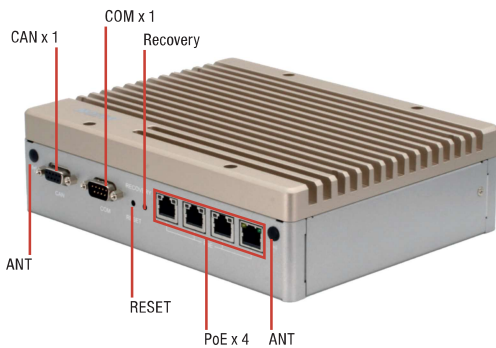
BOXER-8240AI

AI@Edge Fanless Embedded Box PC with NVIDIA AGX Xavier

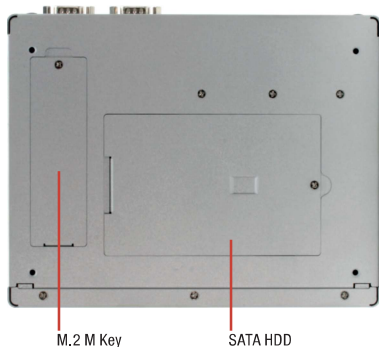
Front View



Rear View



Bottom View



Features

- 512-core Volta GPU with Tensor Cores
- Support RJ-45 x 4 for PoE (802.11af, total 60W)
- Support DB-9 x 1 for RS-232/422/485, CANBUS x 1
- Support GPIO 40 pins, Mic in and Line out
- Support M.2 E key, M key and SATA storage

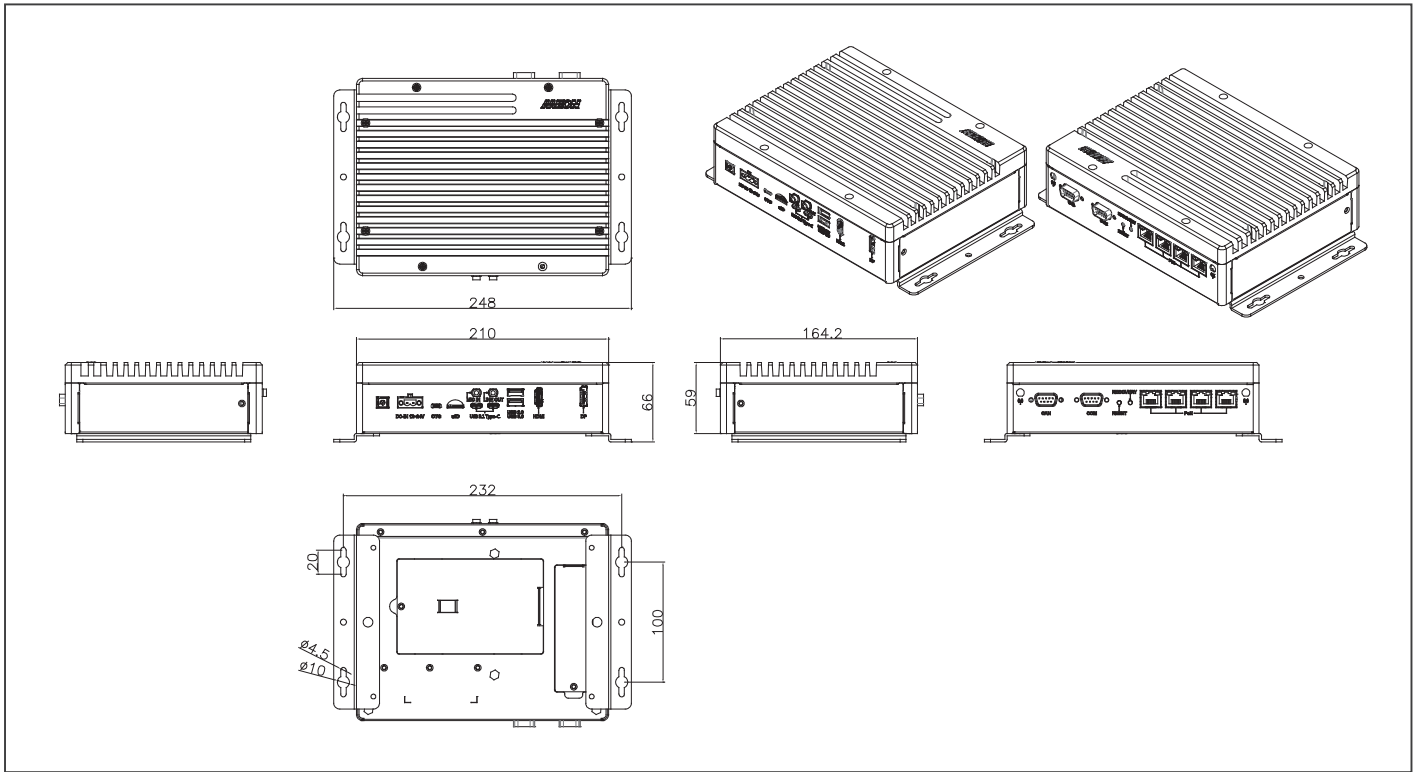


Specifications

System	
AI Accelerator	NVidia® AGX Xavier
CPU	8-core ARM v8.2 64bit CPU, 8MB L2 + 4MB L3
System Memory	32 GB 256-Bit LPDDR4 x 1 137 GB/s
Storage Device	32GB eMMC + M.2 Key M 2280 x1 (PCIe[x4]) + uSD slot + SATA
Display Interface	HDMI 2.0 x 1
Ethernet	10/100/1000 Base-TX with IEEE 802.11 af PoE LAN x 4
I/O	RJ-45 x 4 for PoE (802.11af, total 60W) USB type C x 2 for USB 3.2 Gen 1 USB type A x 1 for USB 3.2 Gen 1 USB Type A x 1 for USB 2.0 Mic-in x 1 Line-out x 1 HDMI type A for HDMI v2.0 x 1 DisplayPort v1.4 x 1 DB-9 x 1 for RS-232/422/485 (By switch) CANBUS x 1 uSD card slot x 1 2-pin terminal block for 12~24V power input Recovery x 1 Reset x 1 Power ON/OFF switch x 1
Expansion	Expansion header 40-pin GPIO compliance with Nvidia Dev Kit 40 pins (4 pins CANBUS occupied) USB 2.0 header x 1 (Optional, circuit reserved) M.2 Key E 2230 x 1 for WiFi/Bluetooth (PCIe[x1] + USB) M.2 Key M 2280 x 1 (PCIe[x4]) SATA x 1 RS-232/422/485 pin header x 1
Indicator	Power LED x 1
OS Support	ACLinux 4.9 or above (Compatible with Ubuntu 18.04)
Power Supply	
Power Requirement	DC 12V~24V 2-pin terminal
Mechanical	
Mounting	Wallmount
Dimensions (W x D x H)	8.26" x 6.46" x 2.32" (210mm x 164.2mm x 59mm)
Gross Weight	6 lbs (2.72kg)
Net Weight	4.23 lbs (1.92kg)
Environmental	
Operating Temperature	14°F ~ 131°F (-10°C ~ 55°C, according to IEC60068-2 with 0.5 m/s AirFlow)
Storage Temperature	-40 °F ~ 158°F(-40°C ~ 70°C)
Storage Humidity	95% @ 40°C, non-condensing
Anti-Vibration	Random, 3 Grms, 5 ~ 500Hz
Certification	CE/FCC class A

Dimension

Unit: mm



Ordering Information

Part Number	AI Accelerator	POE	USB 3,2 Gen 1	RS-232/422/485	Canbus	Storage	Expansion	Display	Mounting	Power	Operation temp.
BOXER-8240AI-A1-1010	NVidia® AGX Xavier	4	2+2 (TypeA+C)	1	1	eMMC / M.2 M key / SD CARD/SATA	M.2 E key (WiFi) 40 pin DIO (compliance with Jetson nano 40pins)	HDMI x 1 DP x 1	Wallmount	DC 12V-24V	-10°C - 55°C with 0.5m/s airflow

Packing List

- BOXER-8240AI

Optional Accessories

- 1255X00035
120W Power Adapter
- 1702031802
Power Cord (US type)
- 1702031803
Power Cord (European Type)
- 170203180E
Power Cord (Japanese Type)