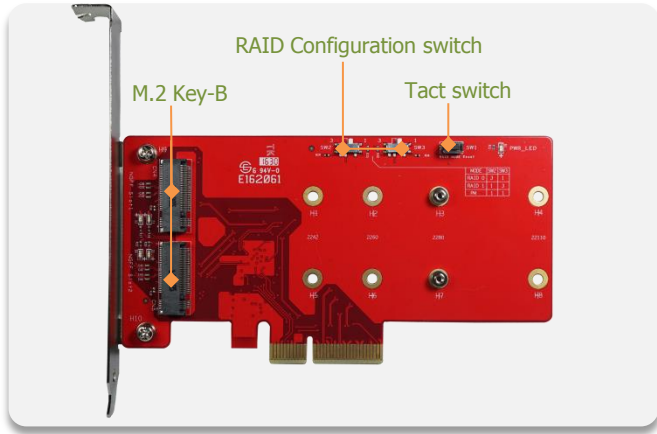


ELPS-32R1

PCIe to dual M.2 RAID Module

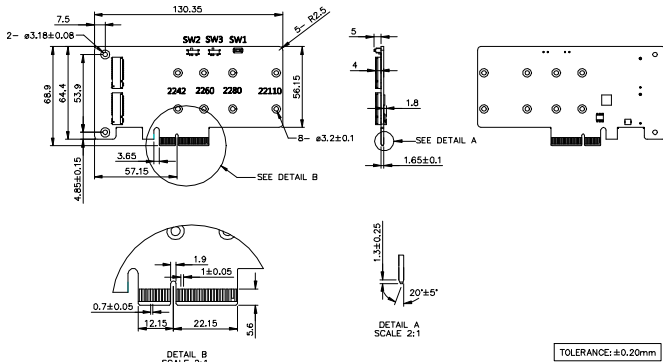


Features

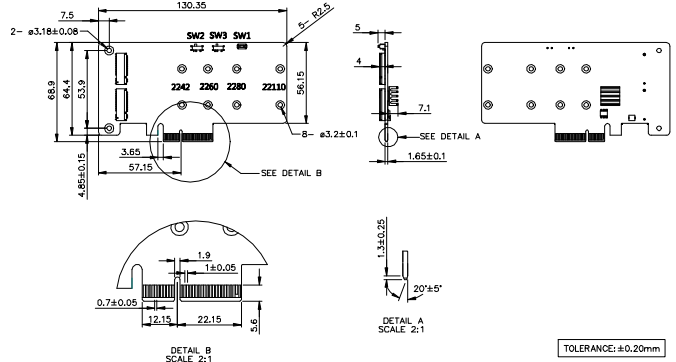
- PCIe x 2 to dual M.2 ports.
- Supports M.2 Key-B 2242/2260/2280/22110
- Supports AHCI, Port-Multiplier.
- Supports Native Command Queuing
- Supports Hardware RAID 0, RAID1
- RAID 0 offers excellent data transfer speed
- Supports wide temp
- 30μ golden finger, 3 years warranty.
- Industrial design, manufactured in Innodisk Taiwan

Mechanical Drawing

Standard Temp



Wide Temp



Specifications

Headquarters (Taiwan)

5F., No. 237, Sec. 1, Datong Rd.,
Xizhi Dist., New Taipei City 221,
Taiwan
Tel: +886-2-77033000
Email: sales@innodisk.com

Branch Offices:

USA

usasales@innodisk.com
+1-510-770-9421

Europe

eusales@innodisk.com
+31-40-3045-400

Japan

jpsales@innodisk.com
+81-3-6667-0161

China

sales_cn@innodisk.com
+86-755-21673689

www.innodisk.com

© 2017 Innodisk Corporation.
All right reserved. Specifications
are subject to change without
prior notice.

May 24, 2017

Form-Factor	Low profile PCIe
Input I/F	PCI Express 2.0 x 2
Output I/F	SATA III
Output Connector	M.2 Key-B x 2
TDP	2.1W (3.3V x 630mA)
Dimension (WxLxH)	Standard Temp: 130.35 x 68.9 x 8.45 mm, Weight: 45g Wide Temp: 130.35 x 68.9 x 13.75 mm, Weight: 45g
Temperature	Operation: STD: 0°C ~ +70°C WT: -40°C ~ +85°C Storage: -55°C ~ +95°C
Environment	Vibration: 5G @7~2000Hz, Shock: 50G @ 0.5ms
Notes	1. RAID Mode Setting: [SW2:SW3] RAID0: 3:1, RAID1: 3:1, PM: 1:1 2. Press tact switch SW1 for reset.

Order information

ELPS-32R1-C1

PCIe to dual M.2 RAID Module

ELPS-32R1-W1

PCIe to dual M.2 RAID Module W/T