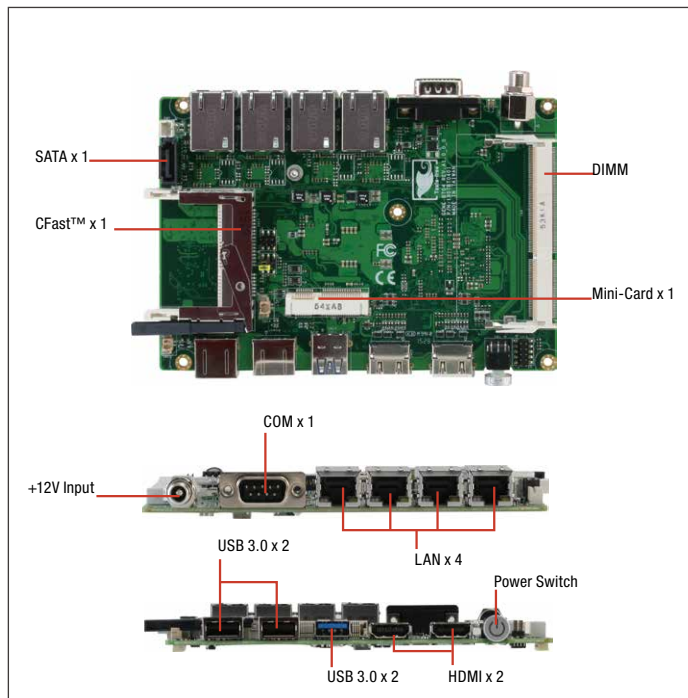
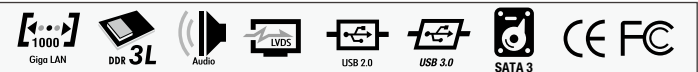


3.5" SubCompact Board with Intel® Celeron® J1900/N2807 Processor SoC



Features

- Intel® Celeron® J1900/ N2807 Processor
- DDR3L 1333 SODIMM slot x1, Max. up to 8GB
- Intel® LAN i211AT x4 Gigabit Ethernet, RJ-45 x 4
- HDMI x 2: HDMI 1 (w/ Audio), HDMI 2 (w/o Audio)
- USB 2.0 x 2, USB 3.0 x 1, COM x 1
- Mini-Card x 1 (Full-size)
- SATA 2.0 x 1
- DC 12V ATX Mode



Specifications

System	
Form Factor	3.5" SubCompact Board
CPU	Intel® Celeron® J1900/ N2807 Processor SoC
CPU Frequency	Up to 2.0GHz
Chipset	Intel® Bay Trail N2807/J1900 Processor SoC
Memory Type	DDR3L 1333, SODIMM x 1
Max. Memory Capacity	Up to 8G
BIOS	UEFI
Wake on LAN	Yes
Watchdog Timer	255 Level
Power Requirement	+12V
Power Supply Type	ATX mode
Power Consumption (Typical)	Intel® N2807, DDR3L 1600MHz 4G, 0.65A@ +12V
Dimension (L x W)	5.75" x 4" (146mm x 101.6mm)
Operating Temperature	32°F ~ 140°F (0°C ~ 60°C)
Storage Temperature	-40°F ~ 176°F (-40°C ~ 80°C)
Operating Humidity	0% ~ 90% relative humidity, non-condensing
MTBF (Hours)	155,000
Certification	CE/FCC
Display	
VGA/LCD Controller	Intel® Celeron® J1900/ N2807 Processor SoC
Video Output	HDMI x 2: HDMI 1(w/Audio), HDMI 2(w/o Audio)
Backlight inverter supply	—
I/O	
Ethernet	Intel® I211AT(or 210), 10/100/1000Base-TX, RJ-45 x 4
Audio	High definition audio interface
USB Port	USB2.0 x 2, USB 3.0 x 1
Serial Port	RS-232 x 1
Parallel Port	—
HDD Interface	SATA 2.0 x 1
FDD Interface	—
SSD	CFast™ x 1
Expansion Slot	Mini-Card x 1 (for USB only)
DIO	4 Bit
TPM	x 1
Touch	—

Packing List

- 1702041004
Power Cable
- Product DVD
- GENE-BT04 with Heatspreader

Optional Accessories

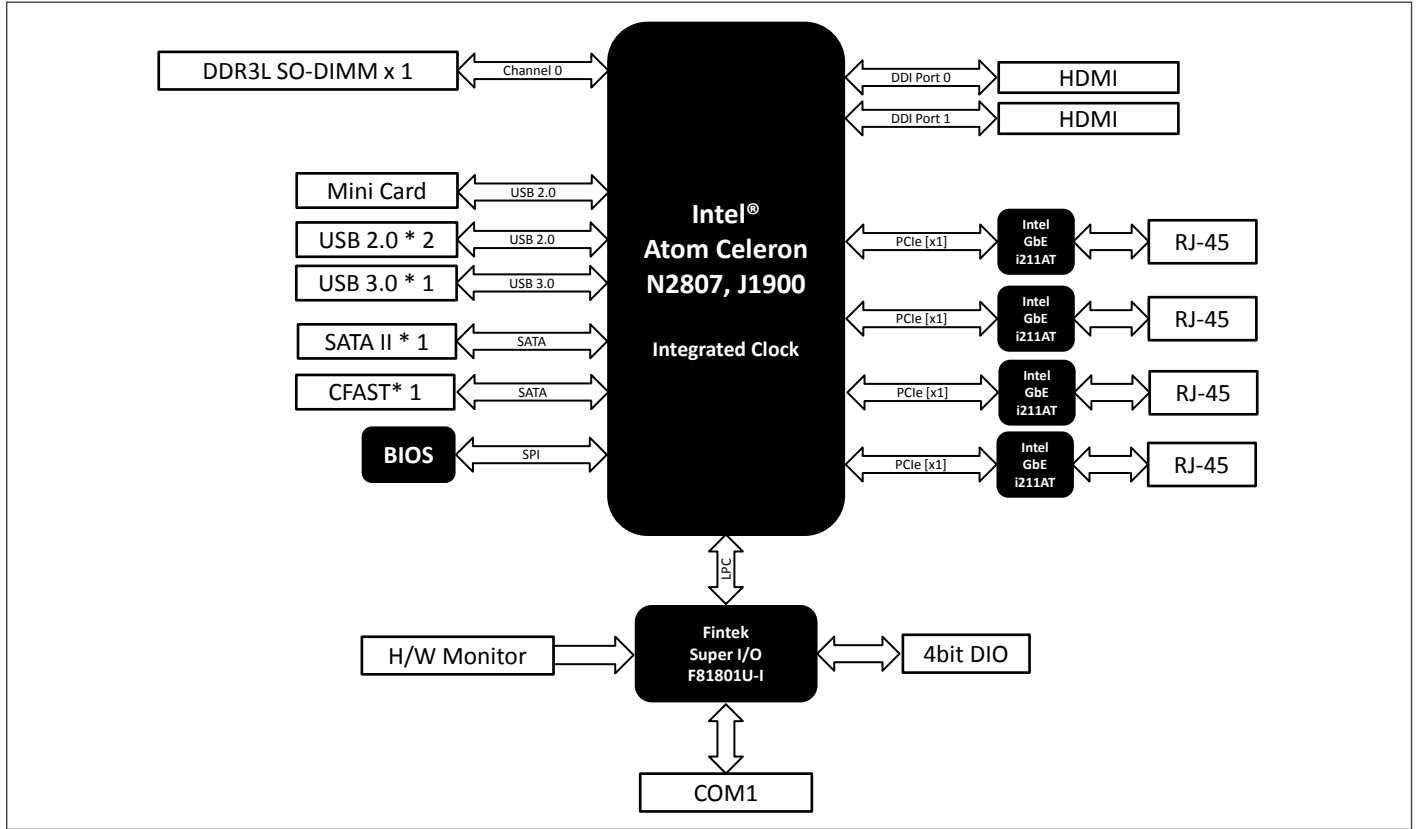
Part Number	Description	QTY
1709070500	(TF)SATA CABLE, 7P Pitch 1.27mm, 50cm	1
1702150155	(TF)Power Cable, 15P SATA(F), 2P 2.0mm Housing(PH), 15cm	1

OS Support

Part Number	Description
OS-W10R-600-00000-EN	Windows 10 IoT Enterprise for Retail or ThinClients.64bit MultiLang. (EngFreChiTChiSJanKor)

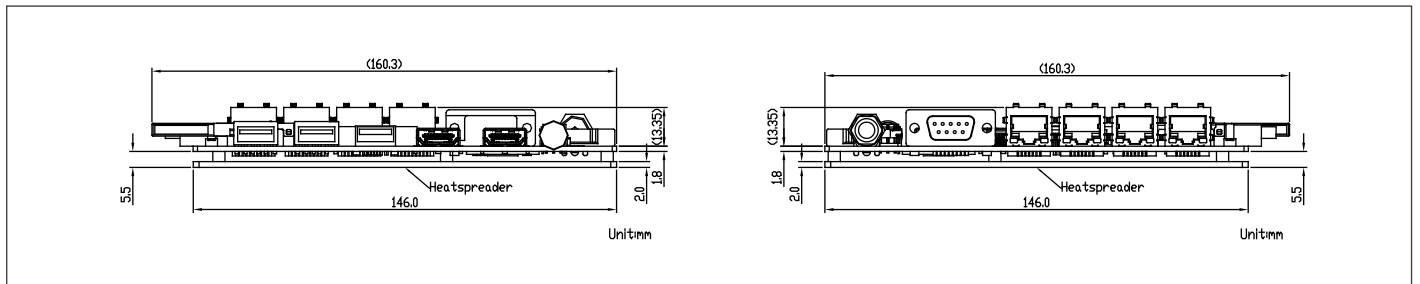
GENE-BT04

Block Diagram



Dimension

Unit: mm



Ordering Information

Part Number	CPU	Fan/Fanless	Display	LVDS	Storage	LAN	USB	RS-232	RS-232/422/485	Expansion Slot	Power	Power Temp	Others
GENE-BT04-A10-0001	Intel® Celeron® N2807	Fanless	HDMI x 2	—	SATA x 1	GbE x 4	USB3.0 x 1 USB 2.0 x 2	1	—	Mini-Card x 1 (Full)	12V	0°C ~ 60°C	DIO x 4
GENE-BT04-A10-0002	Intel® Celeron® J1900	Fanless	HDMI x 2	—	SATA x 1	GbE x 4	USB3.0 x 1 USB 2.0 x 2	1	—	Mini-Card x 1 (Full)	12V	0°C ~ 60°C	DIO x 4