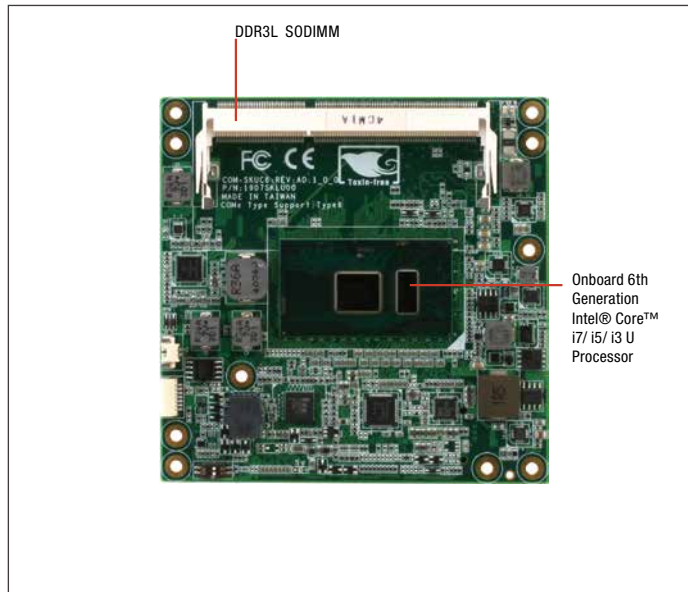


COM Express Type 6 Compact Size with 6th Gen Core U-series Processor



Specifications

System	
Form Factor	COM Express Compact Size
CPU	Onboard 6th Gen Intel® Core™ U-series Processor, BGA type
CPU Frequency	Up to i7-6600U 2.6 GHz, vPro™
Chipset	Onboard 6th Gen Intel® Core™ U-series Processor
Memory Type	DDR3L 1333/1600, SODIMM x 1
Max. Memory Capacity	8 GB
BIOS	AMI BIOS, Legacy Free
Wake on LAN	Yes
Watchdog Timer	255 levels
Power Requirement	Standard: +12V
Power Supply Type	AT/ATX Selection
Power Consumption (Typical)	Intel i3-6100U 2.3GHz, 8GB DDR3L 1A@12V
Dimension (L x W)	3.75in x 3.75in (95mm x 95mm)
Operating Temperature	32°F ~ 140°F (0°C ~ 60°C)
Storage Temperature	-4°F ~ 158°F (-20°C ~ 70°C)
Operating Humidity	10% ~90% relative humidity, non-condensing
MTBF (Hours)	80,000
Certification	CE/FCC Class A
Display	
VGA/LCD Controller	Onboard 6th Gen Intel® Core™ U-series Processor, GT2/GT1
Video Output	VGA, LVDS/eDP, DDI x 1 (up to 2)
I/O	
Ethernet	Intel I219, Gigabit Ethernet
Audio	HD Audio
USB Port	USB2.0 x8, USB3.0 x4
Serial Port	2-Wire UART (Tx/Rx) x2
HDD Interface	SATA x 3 (SATA Port 3 optional)
Onboard SSD	—
Expansion Slot	PCIe[x1] x8, I2C, LPC, SMBus
DIO	GPIO 8-bit
TPM	optional

Features

- Intel® Core™ i3/i5/i7 U-series SoC
- DDR3L SODIMM x 1, up to 8 GB, non-ECC only
- Gigabit Ethernet x 1
- 18/24-bit Dual-Channel LVDS, LCD/eDP, DDI x 2 (1 Sharded to VGA), High Definition Audio Interface
- SATA x 3
- USB2.0 x 8, USB3.0 x 4, GPIO 8-bit, PCI-Express [x1] x 8
- COM Express Type 6 Compact Size 95mm x 95mm



Packing List

- M2.5 Screw x 5
- Product CD
- COM-SKUC6

Optional Accessories

- **ECB-920A-A10-0001**
COM Express Type 1/6/10 Carrier Board, Gigabit Ethernet, USB, 2 COM, 4 SATA, PCIe, AT/ATX, Legacy Free, Rev. A1.0
- **TF-PER-A118**
CPU Cooler, 35W, For COM Express Compact Size, To be used with Heat Spreader
- **COM-SKUC6-HSP01**
Heat Spreader, For COM-SKUC6, Onboard CPU

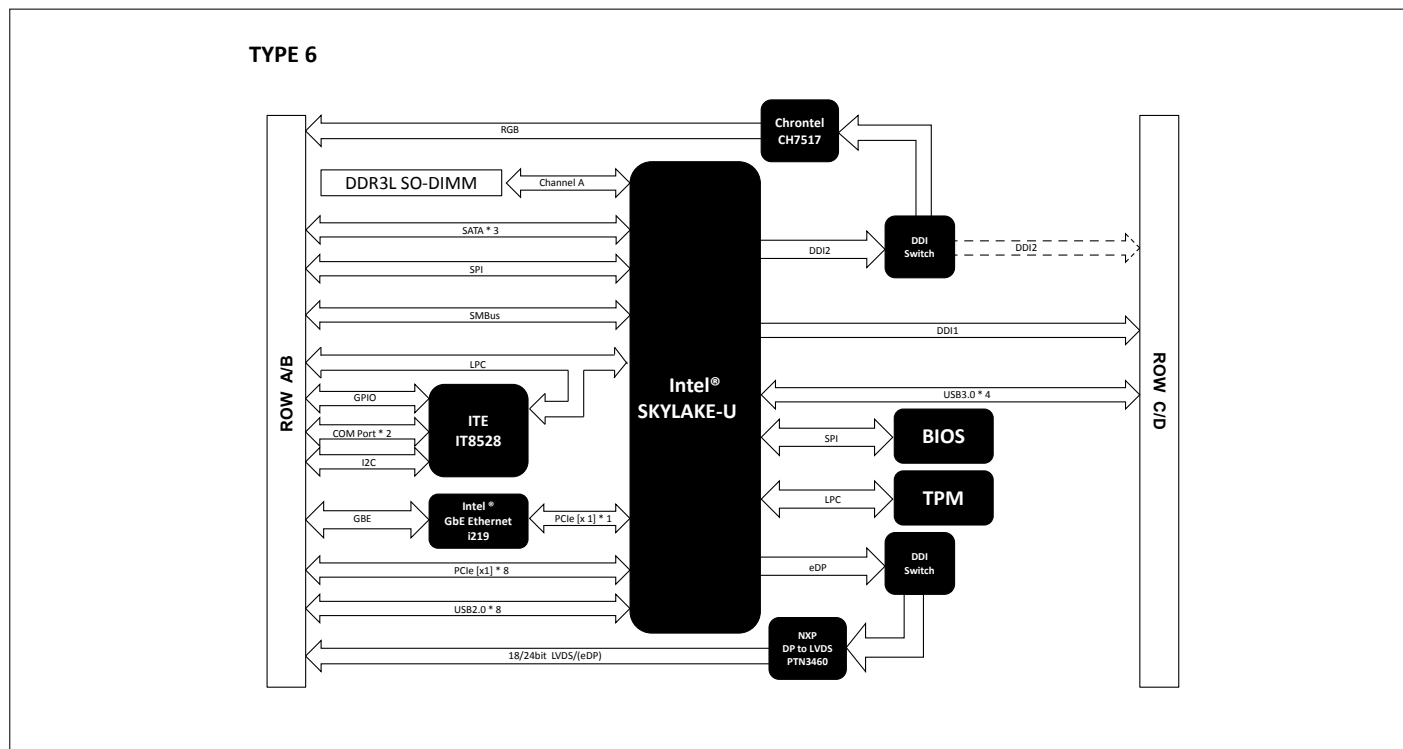
HSIO Configurable Options

PCIe No.	Config 1 (Default)	Config 2	Config 3	Config 4
PCIe#0	PCIe[x1]	PCIe[x1]	PCIe[x4]	PCIe[x4]
PCIe#1	PCIe[x1]	PCIe[x1]		
PCIe#2	PCIe[x1]	PCIe[x1]		
PCIe#3	X	PCIe[x1]		
PCIe#4	X	X	PCIe[x1]	PCIe[x1]
PCIe#5	X	X	PCIe[x1]	PCIe[x1]
PCIe#6	X	X	X	PCIe[x1]
PCIe#7	X	X	X	X
GbE	GbE	GbE	GbE	GbE
SATA#0	SATA#0	SATA#0	SATA#0	SATA#0
SATA#1	SATA#1	X	SATA#1	X
Remark	6 Device 6 Lanes	6 Device 6 Lanes	6 Device 9 Lanes	6 Device 9 Lanes

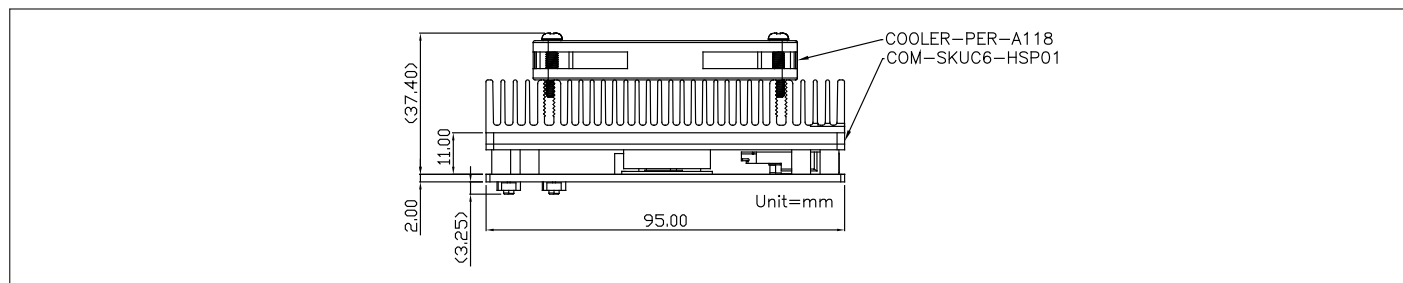
*Only a maximum of 6 PCIe port or (Devices) can be enabled at any time.

COM-SKUC6

Block Diagram Unit: mm



Dimension Unit: mm



Ordering Information

Part Number	Form Factor	CPU	Memory	Display	LVDS	Storage	LAN	USB	UART	Expansion	Power	Temperature	Other
COM-SKUC6-A10-0001	COM Express Type 6	i7-6600U, 2.6/3.4GHz	DDR3L up to 8GB SODIMM x 1	CRT, LVDS/eDP, DDI x2	24bit, 2CH	SATA x 3	GbE x 1	USB3.0 x 4, USB2.0 x 8	2-wire (Tx/Rx) x 2	PCIe[x1] x 8	+12V (ATX)	0°C ~ 60°C	LPC, GPIO 8Bit, HDA, I2C, SMBus
COM-SKUC6-A10-0002	COM Express Type 6	i5-6300U, 2.4/3.0GHz	DDR3L up to 8GB SODIMM x 1	CRT, LVDS/eDP, DDI x2	24bit, 2CH	SATA x 3	GbE x 1	USB3.0 x 4, USB2.0 x 8	2-wire (Tx/Rx) x 2	PCIe[x1] x 8	+12V (ATX)	0°C ~ 60°C	LPC, GPIO 8Bit, HDA, I2C, SMBus
COM-SKUC6-A10-0003	COM Express Type 6	i3-6100U, 2.3GHz	DDR3L up to 8GB SODIMM x 1	CRT, LVDS/eDP, DDI x2	24bit, 2CH	SATA x 2	GbE x 1	USB3.0 x 4, USB2.0 x 8	2-wire (Tx/Rx) x 2	PCIe[x1] x 6	+12V (ATX)	0°C ~ 60°C	LPC, GPIO 8Bit, HDA, I2C, SMBus