

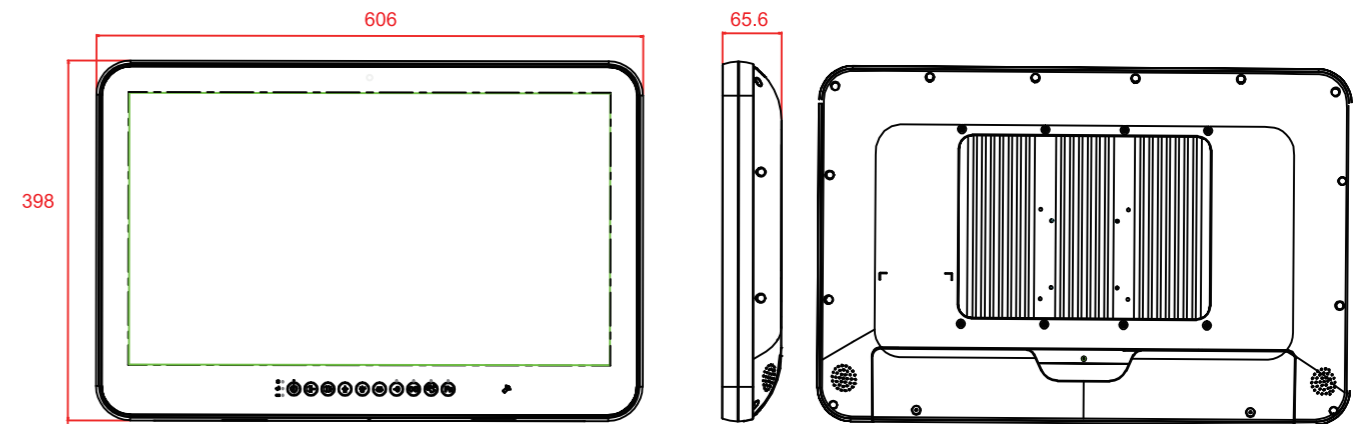
**NEW**

### Key Features

- Intel Skylake i7/i5/i3/Pentium fanless Medical Panel PC
- 23.8" FHD 1920x1080 MVA LED panel
- P-CAP multi-touch with 10 fingers
- Medical UL60601-1 4th edition certification
- EN 60601-1 certification
- Anti-bacteria (MRSA) plastic housing
- Friendly design of front function hot-keys
- Support Intel Vpro technology by CPU
- Optional PCI-E/PCI expansion slot
- Optional 4KV LAN/COM/USB isolated I/O
- Optional built-in battery pack
- Customized DICOM solution by project



### Outline Drawing



### Main System

|                |  |
|----------------|--|
| <b>CPU</b>     | LGA1151 package 6th generation Intel® Core i7/i5/i3/Pentium processor (17W.) |
| <b>Chipset</b> | Intel® Q170 Chipset (Intel® GL82Q170 PCH)                                    |
| <b>VGA</b>     | Intel® integrated HD Graphics 530  |
| <b>Memory</b>  | Two 2133 MHz DDR4 SODIMM socket support dual Channel, non-ECC, up to 16GB    |
| <b>Speaker</b> | 5W x2  |

### LCD Panel

|                      |                           |
|----------------------|---------------------------|
| <b>Size</b>          | 23.8" wide 16:9           |
| <b>Resolution</b>    | Full HD 1920 x 1080       |
| <b>Color numbers</b> | 16.7M colors (true 8-bit) |
| <b>Viewing angle</b> | 178 (H) / 178 (V)         |
| <b>Contrast</b>      | 3000:1 (Typ)              |
| <b>Brightness</b>    | 250 nits                  |

### Touch Panel

|                           |  |
|---------------------------|--|
| <b>Type</b>               | Full flat projective capacitive touch panel (10 fingers) |
| <b>Light transmission</b> | 90% ± 3%   |
| <b>Hardness</b>           | 7H pencil, pressure 750g/45°                             |
| <b>Life time</b>          | 100M times   |

\* OS support (Multi point) : Win 7 pro, Win 8, Win 8.1 industrial, Win 10

### Storage & Expansion

|                       |   |
|-----------------------|---|
| <b>HDD</b>            | 2.5" SATA HDD drive bay x 1, mSATA via Mini PCI-E x 1   |
| <b>Expansion slot</b> | <ul style="list-style-type: none"> <li>• PCI-E x 16 expansion slot x 1 (25W max)</li> <li>• Card size: 114mm (W) x 190mm (D) x 25mm (H)</li> <li>• Mini PCIe x 1 (One full size support mSATA)</li> <li>• M.2 Type E x 1</li> </ul> |

### I/O & Power & Control Keys

|                          |  |
|--------------------------|--|
| <b>USB</b>               | USB 3.1 gen II x 2, USB 3.0 x 2  |
| <b>COM</b>               | RS232 x 2  |
| <b>LAN</b>               | RJ-45 x 1, Gigabit   |
| <b>Video-out</b>         | DP x 2   |
| <b>Audio</b>             | Line-out, Microphone-in (3.5 mm phone-jack)  |
| <b>Power input</b>       | DC-in x 1, DC 7~32V input (9V~28V with battery pack)   |
| <b>Power adaptor</b>     | AC input 90 ~ 264V / 47 ~ 63 Hz / DC output 24V , 180W   |
| <b>Power consumption</b> | TBD W ( MAX. loading without adapter )   |
| <b>Control keys</b>      | Power, brightness, audio volume, read light, video input, display backlight, Clean me, programmable button |

### Mechanical & Environmental

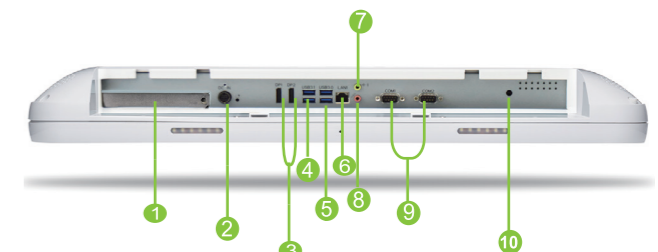
|                     |   |
|---------------------|---|
| <b>Housing</b>      | <ul style="list-style-type: none"> <li>• Front: Full flat design / Touch (standard), Glass (Customization)</li> <li>• Rear: Plastic + I/O cover w/ antibacterial treatment</li> <li>• Anti-bacteria (MRSA)</li> </ul> |
| <b>IP rating</b>    | IP65 – front side, IPx1 whole system  |
| <b>Cooling</b>      | Fanless   |
| <b>Dimension</b>    | 606 (H) x 398 (V) x 65.6 (T) (mm x mm x mm)   |
| <b>Weight (net)</b> | 9 kg (w/o power adapter)  |
| <b>Temperature</b>  | Operating : 0°C~35°C (chamber)<br>Storage : -20°C~60°C  |
| <b>Humidity</b>     | Operating & storage – 10%~90%, non-condensing   |
| <b>Regulatory</b>   | <ul style="list-style-type: none"> <li>• FCC/CE/VCCI Class B</li> <li>• cULus Mark/UL60601-1</li> <li>• EN60601-1 approved / ISO 14971 / IEC-62133</li> <li>• Energy star 6.1 compliance</li> </ul>                   |

### Options

|  |
|--|
| 802.11 a/b/g/n WLAN module (Mini PCIe)   |
| 802.11 a/b/g/n WLAN + Bluetooth 4.0 module (Mini PCIe)   |
| Auto focus 5M pixel webcam module (USB)  |
| Battery pack (PCI-E support 25W as typical)  |
| PCI-E x16  |
| Power adaptor w/ 2.4m or 3.6m DC cable   |
| Anti-bacteria desktop stand  |
| Equipotential terminal pin   |
| TPM v1.2 module  |
| Smart card reader (USB) / or DVD drive / or 2nd HDD  |
| AG Film  |
| mSATA module   |
| Power plug holder  |
| RFID reader (13.56Hz)  |
| <b>4KV Isolation:</b><br>ISO COM x 2 + ISO LAN x 1 + ISO USB2.0 x 1 (need to take original COM x 2 ports' space)   |
| <b>Option other I/O:</b><br>USB3.1 x 2 + USB3.0 x 2 + USB2.0 x 2 + COM x 2 + LAN x 2+ DP x 2 (Default: USB3.1 x 2 + USB3.0 x 2 + COM x 2 + LAN x 1 + DP x 2) |

### Customization

|   |
|---|
| PCI riser card  |
| Tempered glass  |
| Video input DVI-D x 1 Via cable (need to modify IO BKT) |
| DICOM module  |
| FHD Capture card  |
| Smart card reader                                       |
| MSR card reader   |
| 1D/2D Barcode scanner                                   |



- ① PCI-E/PCI expansion
- ② DC-in
- ③ DP Port x 2 (Output)
- ④ USB 3.1 x 2
- ⑤ USB 3.0 x 2
- ⑥ LAN x 1
- ⑦ Microphone-in
- ⑧ Line-out
- ⑨ RS232
- ⑩ Reset

### Ordering Information

|              |             |  |
|--------------|-------------|--|
| WMP-24C (i5) | 24" FANLESS | Core i5-6500TE / DDR4 4G RAM / 500G HDD / Full flat P.cap touch                        |
| WMP-24C (i5) | 24" FANLESS | Core i5-6500TE / DDR4 4G RAM / 500G HDD / Full flat P.cap touch / isolated USB/COM/LAN |



DICOM (Customization)