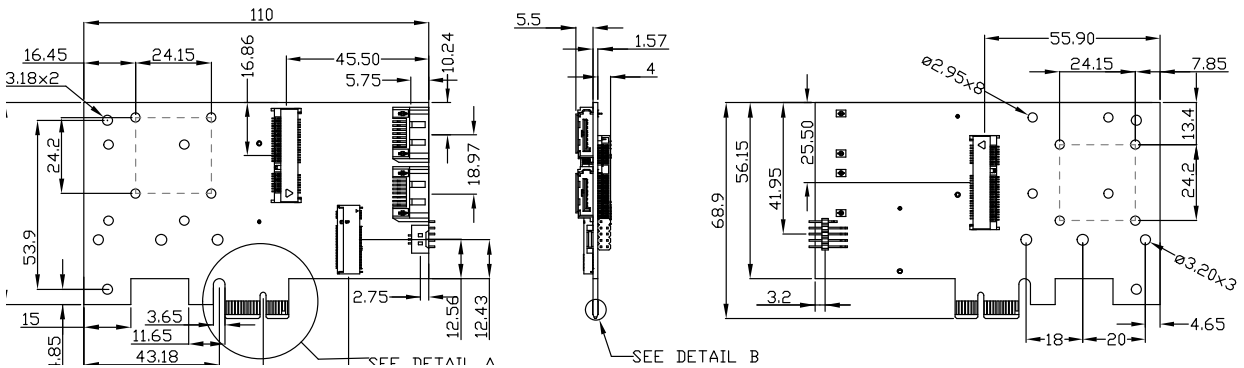


### Features

- Supports low profile/standard PCIe form factor.
- Supports external SATA III and USB 2.0 signal to mSATA & M.2 2242/2260/2280(Front Side).
- PCIe to mPCIe pass-through design (BackSide).
- 30μ" golden finger, 3 years warranty.
- Industrial design. Manufactured in innodisk Taiwan.

### Mechanical Drawing



### Specifications

**Headquarters (Taiwan)**  
 5F., No. 237, Sec. 1, Datong Rd.,  
 Xizhi Dist., New Taipei City 221,  
 Taiwan  
 Tel: +886-2-77033000  
 Email: sales@innodisk.com

**Branch Offices:**  
**USA**  
[usasales@innodisk.com](mailto:usasales@innodisk.com)  
 +1-510-770-9421

**Europe**  
[eusales@innodisk.com](mailto:eusales@innodisk.com)  
 +31-040-282-1818

**Japan**  
[jpsales@innodisk.com](mailto:jpsales@innodisk.com)  
 +81-3-6661-9846

**China**  
[sales\\_cn@innodisk.com](mailto:sales_cn@innodisk.com)  
 +86-755-21673689

Form-Factor	Standard PCIe
Input I/F	PCIe Gen 1, SATA III, USB 2.0
Output I/F	USB 2.0, SATA III(frontside), PCIe Gen1(backside)
Output Connector	mPCIe x 1(backside), mSATA x 1, M.2 x 1(2242/2260/2280)
TDP	TBD
Dimension (WxLxH)	110 x 68.9 x 12.3mm.
Temperature	Operation: STD: 0°C ~ +70°C
Environment	Vibration: 5G @7~2000Hz, Shock: 50G @ 0.5ms
Notes	

[www.innodisk.com](http://www.innodisk.com)

© 2014 Innodisk Corporation.  
 All right reserved. Specifications  
 are subject to change without  
 prior notice.

May 27, 2015